

D03 Series

Vision[®] Wired – Digital room thermostat

Technical Data Sheet



Description

Vision® Wired enables you to control the temperature of individual rooms for heating and/or cooling systems. Room thermostat A03 or D03 series are connected to the Vision® Wired controller that links each zones to the water floor loop through the actuator control. Likewise, room thermostat can be connected directly to valve actuators 22CX series.



Vision® Wired D03 SERIES

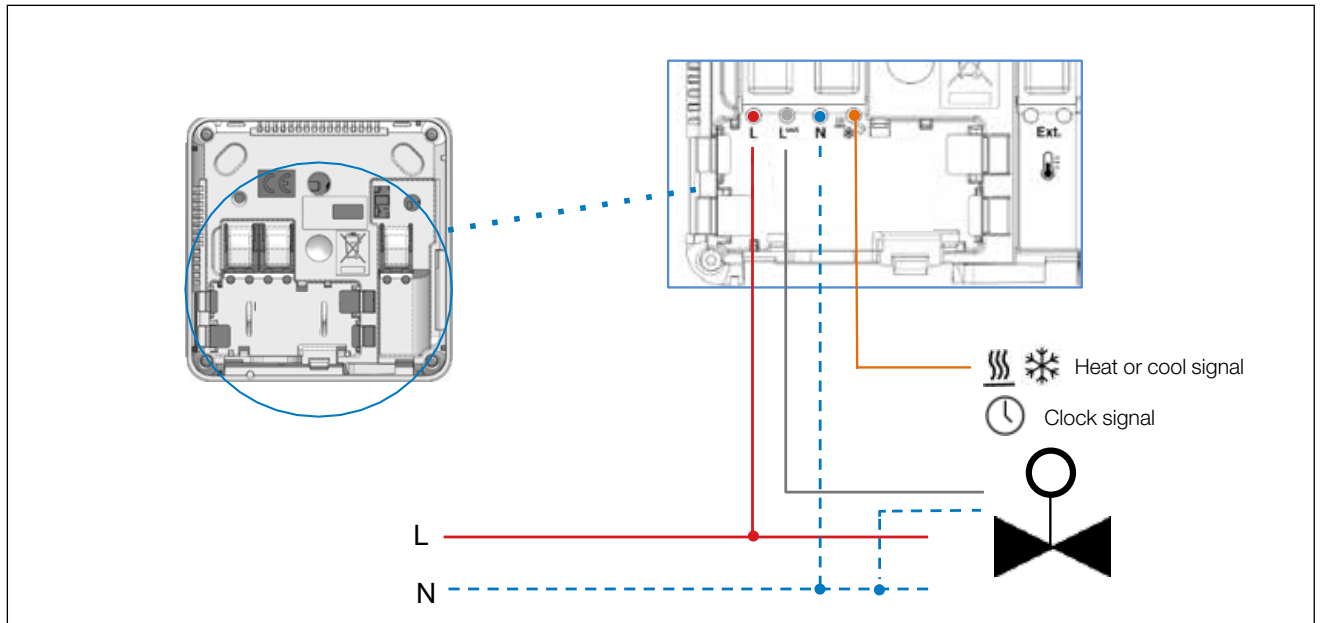
The digital room thermostat with back-light LCD display is designed to control, by a live triac output, different types of heating and cooling systems. Compatibles with both NC and NO actuators, the Vision® Wired thermostat offers a wide voltage range for power supply from 24 to 230VAC. Temperature control is based on internal sensor. An external sensor (SENSOR 10K - P01228) can be connected without any additional external power supply. A logo on display indicates whether the heating or cooling switch-on signal is activated. Input/output for heat&cool switching with the use of Vision® Wired controller.

Type	Part No.	Description	Box qty
WT-D03	P08043	Vision® Wired Digital Room Thermostat D03	1/84

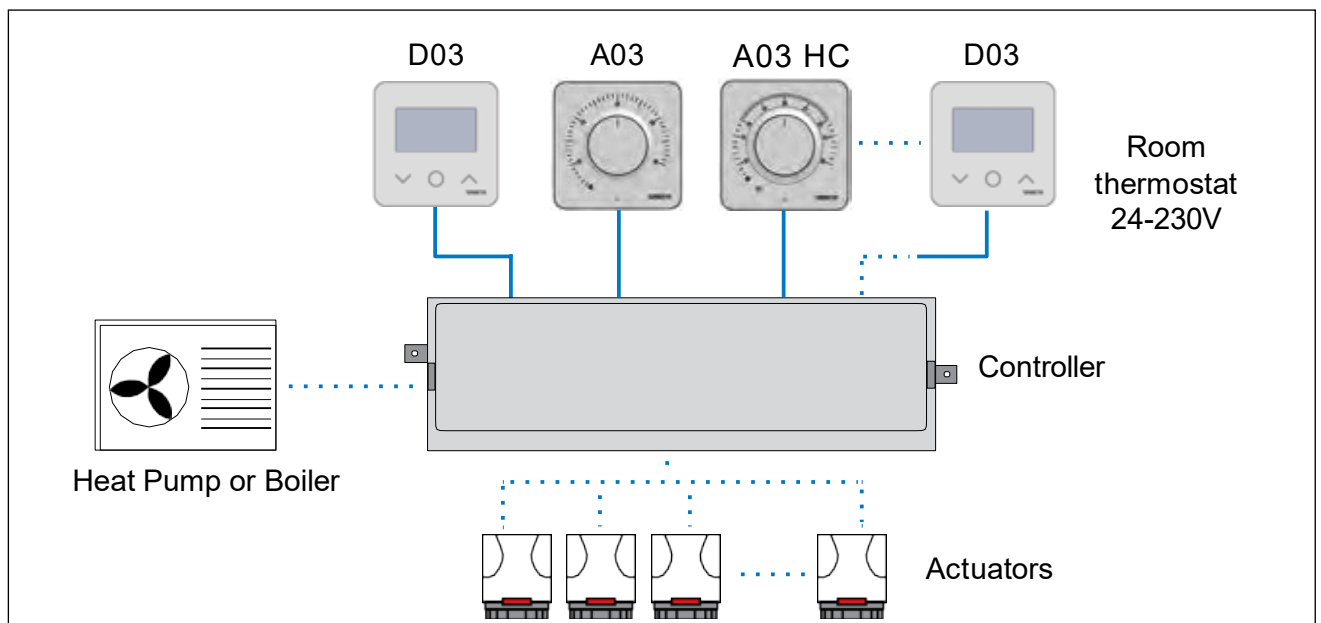
- Thermostat compatible with Vision® Wired system
- Operating voltage from 24 to 230 V 50/60 Hz
- NC and NO actuators control
- Heating or cooling system regulation, switch with digital master thermostat (Auto or Manu), with slave thermostat connected to controller
- Clock pilote wire
- Quick push-in connectors
- LCD display with back-light
- 3 sensitive touch buttons
- Open window detection
- Different temperature modes setting
- Anti-freeze function
- Configurable hysteresis or PWM regulation
- Pin code & screws lock for public area
- 2 parameter menus User and Pro
- 3 temperature control modes for regulation (Floor, combined...): via internal sensor, via external sensor (floor sensor) or via internal sensor and floor temperature limitation by external sensor (5 - 35°C). External sensor in option.

Technical specifications	
IP rating	IP30
Security isolation	Class II
Temperature measurement accuracy	0.1°C
Class ErP	Level IV (2%)
Regulation type	Proportional band (cycles 15-30-45-60 min) or hysteresis 0.2°C to 3.0°C
Temperature ranges: Comfort / Reduced / Anti-freeze	5 to 35 °C / 5 to 35°C / 0.5 to 10°C / (increments of 0.5°C)
Power supply	24 to 230VAC
Power output	Live Triac, NO or NC 24VAC: Max. 5 actuators (1,6W/actuator) 230VAC: Max. 8 actuators (1,8W/actuator)
Temperature sensor	Internal and/or external (optional) NTC 10kΩ at 25°C
Firmware version	Shown on thermostat menu
Memory	EEPROM non volatile
Directives	2014/35/EU, 2014/30/EU, 2014/53/EU, 2011/65/EU, 2012/19/EU, 2015/1188/EU
Operating temperature	0°C to 40°C
Shipping and storage temperature	-10°C to +50°C

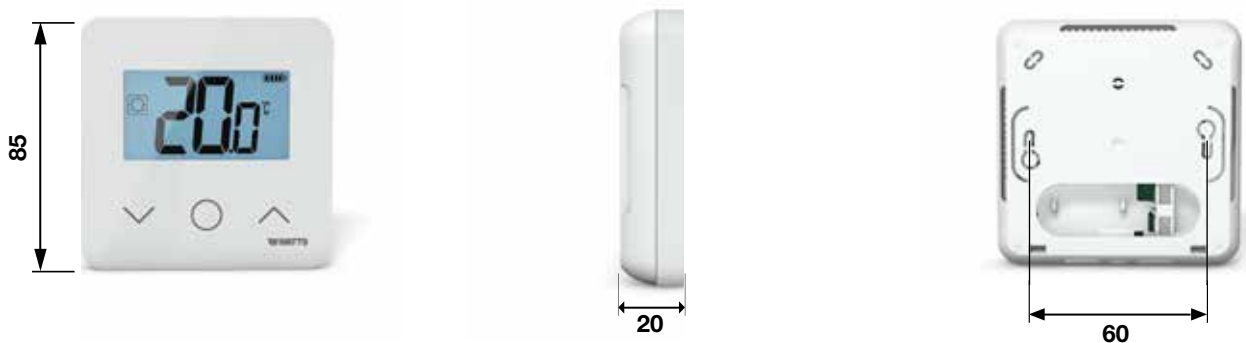
Electrical wire connections



Installation example



Overall dimensions (mm)



Specification text

Vision® Wired D03 SERIES

Digital room thermostat to control the temperature of the individual rooms for heating and cooling systems. Can be connected directly to valve actuators 22CX series or through modules Vision® Wired controller. Compatibles with both NC and NO actuators and offers a wide voltage range for power supply from 24 to 230VAC. Temperature control is based on internal sensor. An external sensor (SENSOR 10K - P01228) can be connected without any additional external power supply. A logo on display indicates whether the heating or cooling switch-on signal is activated.

Compliant with: 2014/35/EU, 2014/30/EU, 2014/53/EU, 2011/65/EU, 2012/19/EU, 2015/1188/EU.

The descriptions and photographs contained in this product specification sheet are supplied by way of information only and are not binding. Watts Industries reserves the right to carry out any technical and design improvements to its products without prior notice. Warranty: All sales and contracts for sale are expressly conditioned on the buyer's assent to Watts terms and conditions found on its website at <https://wattswater.eu/gtc/> - Watts hereby objects to any term, different from or additional to Watts terms, contained in any buyer communication in any form, unless agreed to in a writing signed by an officer of Watts.



Watts Electronics S.A.S

B.P. N°10 - ZA les Tourettes • 43800 • Rosières • France

T: +33 4 71 57 40 49 • F: +33 4 71 57 40 90

wattswater.eu